

Taps for inserts

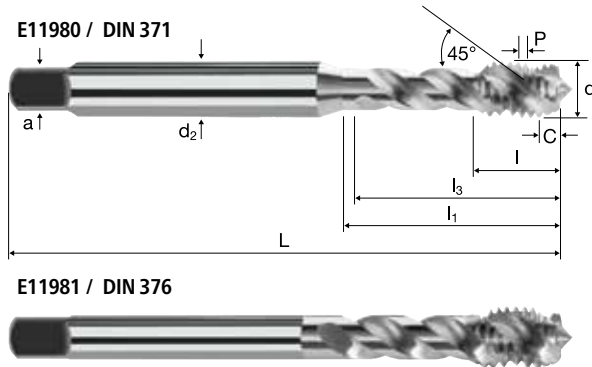


EG M **6H mod**

HSS-E Co5

DIN 371/376

Form C



Rm < 850 **Al Aluminium > 99%** **Al Aluminium Alloy** **Al Aluminium Cast** **Cu Copper** **Plastic Thermo-plast** **GG(G)**

Example: Order-N° E11980 034											E11980	
\emptyset Code	d	P	L	l	l ₁	l ₃	d ₂	a				
034	EGM 2	0.40	50	9.00	15.0	13.0	2.8	2.1	3	2.15	●	
040	EGM 2.5	0.45	56	4.00	18.0	16.0	3.5	2.7	3	2.65	●	
044	EGM 3	0.50	63	5.60	21.0	19.0	4.5	3.0	3	3.15	●	
058	EGM 4	0.70	70	6.40	25.0	23.0	6.0	4.9	3	4.20	●	
084	EGM 5	0.80	80	8.00	30.0	28.0	6.0	4.9	3	5.25	●	
088	EGM 6	1.00	90	10.00	35.0	33.0	8.0	6.2	3	6.30	●	
160	EGM 8	1.25	100	12.00	39.0	37.0	10.0	8.0	3	8.40	●	

Example: Order-N° E11981 174											E11981	
\emptyset Code	d	P	L	l	l ₁	l ₃	d ₂	a				
174	EGM 10	1.50	110	14.00	50.0	48.0	9.0	7.0	3	10.40	●	
240	EGM 12	1.75	110	16.00	58.0	56.0	11.0	9.0	4	12.50	●	
244	EGM 14	2.00	110	16.00	58.0	56.0	12.0	9.0	4	14.50	●	
246	EGM 16	2.00	125	20.00	65.0	63.0	14.0	11.0	4	16.50	●	

EG

